

# ANPING TAILONG

HARDWARE&WIRE MESH PRODUCTS CO.,LTD

**TLWY**<sup>®</sup>  
**TaiLong Fence**



*HORSE PANEL*

**LIVESTOCK FENCE PANEL**



Mobile:

+86-133-2318-6988  
+86-153-6985-6999



Email:

Sales@fence-global.com  
Sales@wiremesh-global.com



No.19, Jingsi road,  
high-tech-industrialdevelopment  
zone, Anping, Hebei, China



## Horse Panel

The horse panel is designed for safe and durable use in horse farms, ranches, training areas and outdoor paddocks. Made from high-quality galvanized steel tubing and strong welding for long service life.





## DESCRIPTION & CATEGORY

**Material:** Hot dipped galvanized steel pipe  
Welding structure

**Common Sizes:** Height:1.6m–1.8m  
Length:2.1m / 2.2m / 2.4m / 3.0m  
Pipe:32mm / 42mm / 48mm  
Wall thickness:1.5–2.0mm

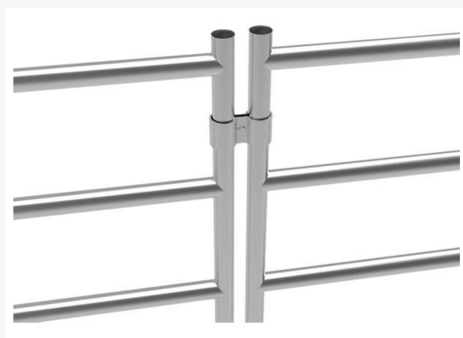
**Surface Treatment:** Hot-dip galvanized  
Powder coated

**Features:** Smooth surface, safe for horses  
Strong welding, excellent impact resistance  
Easy installation  
Weather & rust resistant

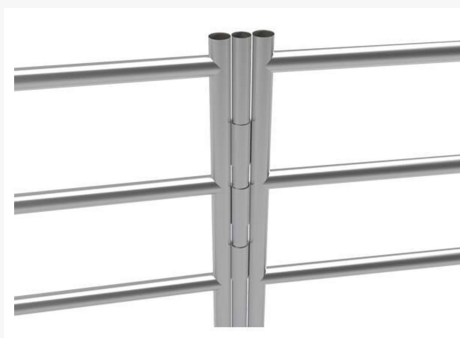
**Applications:** Horse farms  
Training pens  
Outdoor paddocks  
Temporary enclosures



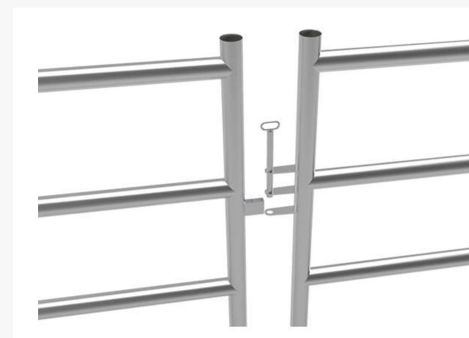
## Available Hookup Type



Clamps



Connecting Steel Tubes



Quick-Pin Latch System

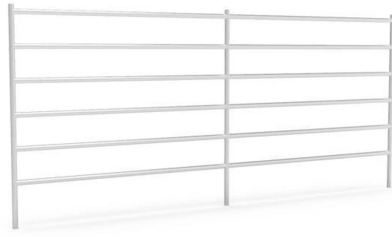
## Popular Panel Types & Specs

4-1/2' High 3 Rail



4.5-Feet-Round-Tube-Horse-Panel

5-1/2' High 6 Rail



5.5-Feet-Round-Tube-Horse-Panel

5' High 4 Rail



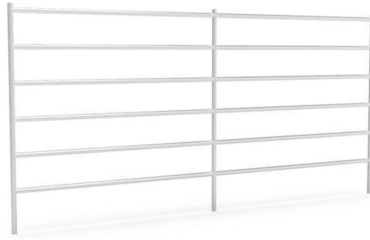
5-Feet-Round-Tube-Horse-Panel

5' High 5 Rail



5-Feet-Round-Tube-Horse-Panels

6' High 6 Rail

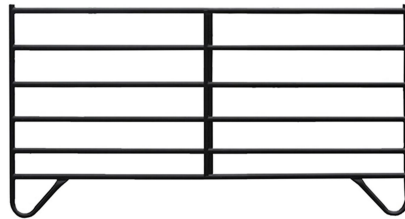


6-Feet-Round-Tube-Horse-Panel

## Circular Leg Fence

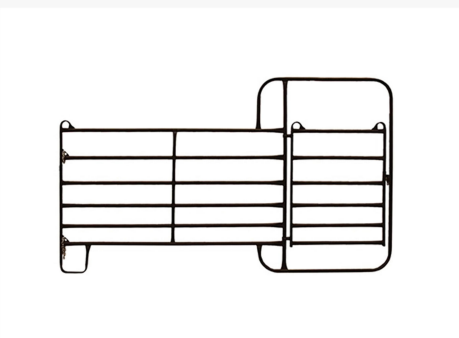


Circular Leg Guardrail (Pin Connection)



Circular Leg Guardrail (Positive-Pin Connection)

## European-Style Fence



Type1



Type2



## Production Flow Chart



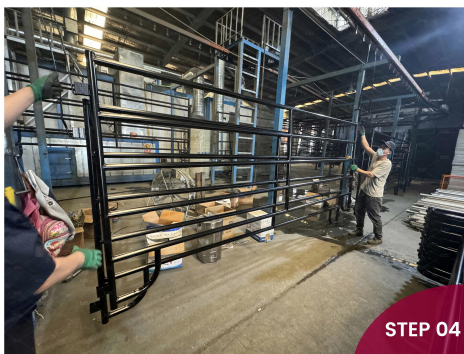
Hot-Dip Galvanized Steel Pipes



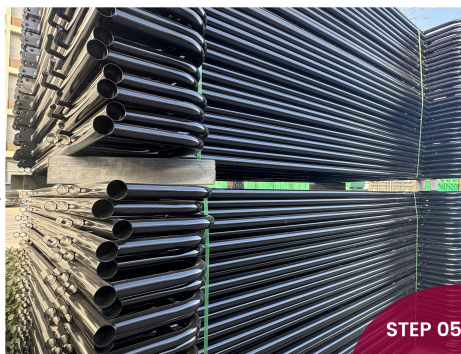
Laser Cutting



Laser Welding



Electrostatic Spraying



Finish

## Package & Delivery



# FEATURES

## ✔ Durable Materials

Horse fence panels are typically made of robust materials such as steel, wood, or composite materials to ensure high durability and impact resistance. Steel fence panels, especially those treated with hot-dip galvanizing, offer strong corrosion resistance, making them suitable for long-term outdoor exposure.

## ✔ Comfort

Horses need ample space to move around, so stall panels are typically designed with a more spacious and free structure, ensuring horses can move freely within the enclosure without feeling cramped or stressed. Additionally, edges and seams are smoothed to prevent injuries from scratches.

## ✔ Corrosion-Resistant Design

Most horse fence panels undergo anti-corrosion treatment, especially steel. Anti-corrosion coatings (such as hot-dip galvanizing or powder coating) protect the panels from rain, moisture, and other external factors, extending their lifespan.

## ✔ Adaptability

The height and design of stall panels can be adjusted to accommodate different breeds and sizes of horses. For example, racehorses or large horses may require higher stalls, while lower stalls are suitable for riding horses or ponies.

## ✔ Good Visibility

Due to horses' excellent eyesight, horse fence panels are usually designed with a mesh or widely spaced structure to maintain the enclosure's permeability. This not only allows horses to see their surroundings clearly but also promotes air circulation, preventing the fenced area from becoming too stuffy.

## ✔ Ease of Maintenance and Cleaning

Modern stall panel designs are generally simple, making them easy to clean and maintain. Wooden stall panels may require regular oiling or anti-corrosion treatment; steel panels can be kept clean with simple washing.

## ✔ Safety

Horse fence panels are specifically designed to prevent horses from breaking through the fence out of curiosity or fear. The height of the panels, the size of the mesh, and the material are all designed according to the characteristics of horses, ensuring they are unlikely to jump out or be injured.

## ✔ Easy Installation and Removal

Many stall panels feature a modular design, facilitating quick installation and removal. This allows horse owners to easily redesign or adjust the stall layout if needed.

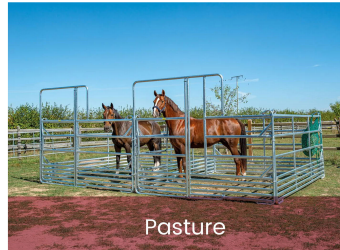
# APPLICATION



Equestrian Club



Farm



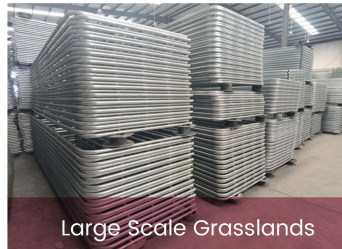
Pasture



Wild Grazing Area



Animal Sanctuary



Large Scale Grasslands



Production-Workshop-1



Production-Workshop-2



Production-Workshop-3



Warehouse-1



Warehouse-2



Warehouse-3



## ANPING TAILONG

HARDWARE&WIRE MESH PRODUCTS CO.,LTD

+86-133-2318-6988  
+86-153-6985-6999

Sales@fence-global.com  
Sales@wiremesh-global.com

No.19, Jingsi road,  
high-tech-industrialdevelopment  
zone, Anping, Hebei, China

WHATSAPP

